



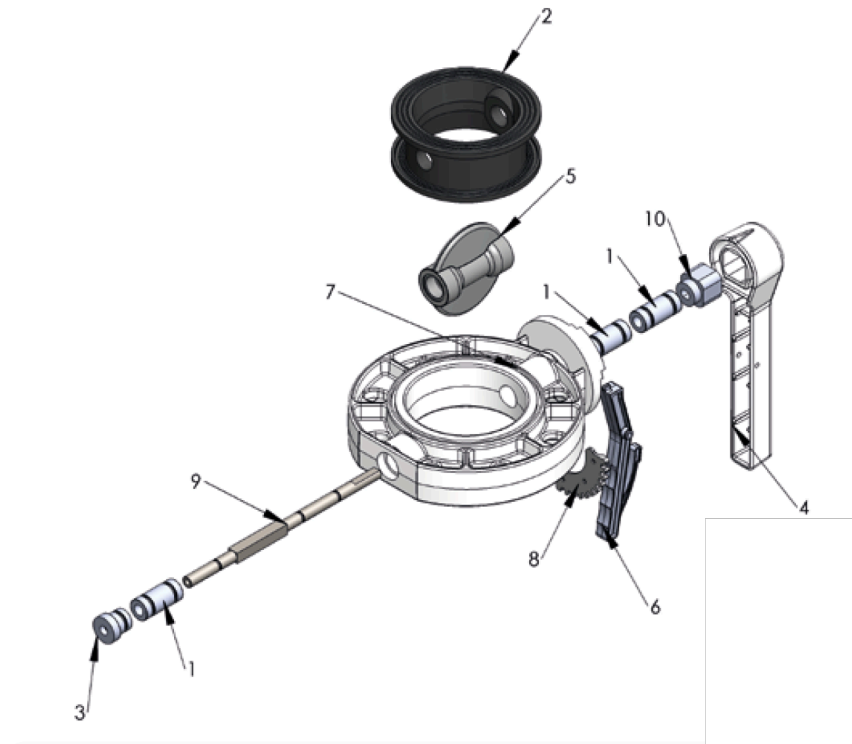
## MP PVC Butterfly Valve

New **MP Butterfly Valves** extend wide range of PVC and ABS fittings, valves and technical tools.

MP Butterfly Valve represents the latest evolution within the market and fits for different applications, in particular: water treatment, irrigation, pools and industrial.

Main features are:

- **Valve body reinforced with ribs** and moulded in PVC
- **Rubber gasket on the body** with dual function of forming an hydraulic seal and isolating the body from any aggressive fluid circulating in the plant
- **No need** of additional gaskets between stub ends and body
- **PP disc with reinforcement ribs** allowing better chemical and mechanical resistance whilst ensuring low pressure drop in the full opening position
- **PN 16** from d.63 (4") up to d. 160 (8") at 20° C
- **Ergonomic multifunctional handle** - 180° reversible mounting - in PVC-U with locking/unlocking device and graduated adjustment in 10 intermediate positions
- **Possible security block** on the handle through the hole on the locking / unlocking device
- **Hardened steel square section stem** completely isolated from the fluid, ensuring high chemical and mechanical resistance
- **Butterfly valves** are available in the following sizes: **200-225mm (8")**; **160mm (6")**; and **110 mm (4")**



## Components:

Reference Number	Part Type	Material
1	Bush	POM
2	Gasket	EPDM
3	Plug	POM
4	Handle	PVC
5	Disc	PVC
6	Locking handle device	PVC
7	Body	PVC
8	Graduated plate	PVC
9	Stem	Steel
10	Insert	Steel